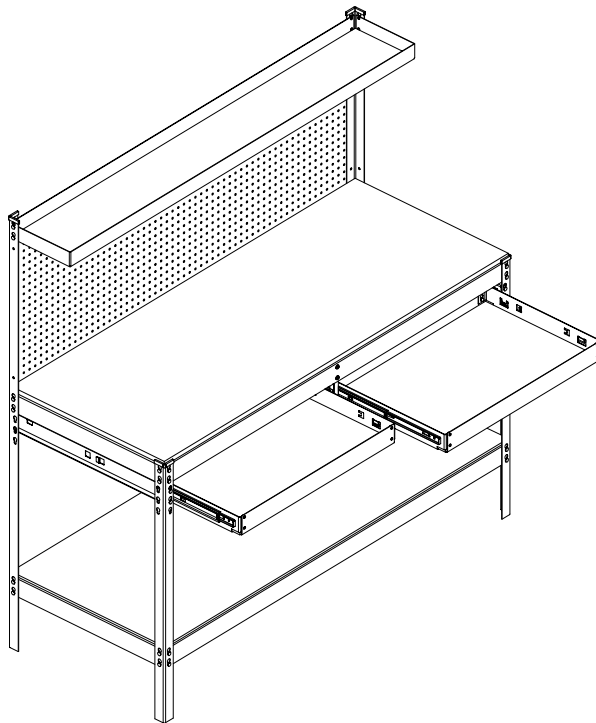




Assembly Instructions Workbench



Model: GRB 1580-T
Dimensions - 24"x72"x60"

For Instruction Assistance

 **(800) 637-9508**

WEEKDAYS: 8:00 a.m. - 5:00 p.m. Pacific Standard Time

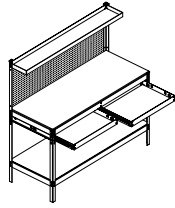
visit us on the web

www.theshelvingstore.com

Gorilla Rack Products is a division of
Rapid Rack Industries, Inc.
14421 Bonelli Street
City of Industry, CA 91746

MODEL GRB 1580-T

WORKBENCH



Please read and follow instructions to avoid injuries.

Tool required:
- Rubber Mallet / Hammer

☎ **800-736-7225**
WEEKDAYS
8:00 am. - 5:00 pm. Pacific Time

CONGRATULATIONS!

You have just purchased a superior quality Gorilla Rack Product!

At Gorilla Rack, we pride ourselves in supplying our customers with a superior quality product. If you require any assistance in assembly, or there are any imperfections in our product we need to know. The call you make as a consumer will make a difference in improved services and innovations. All our products have a limited lifetime warranty.

Please contact us toll free at:

800-736-7225 (available for US and Canadian customers only)

Monday through Friday

8:00 A.M. to 5:00 P.M. Pacific Time.

To better service you, please have available the Model Number and Lot Tracking Number located on the side of the packaging for your customer service representative.

WARRANTY

CONSUMER PRODUCTS WARRANTY INFORMATION

This Gorilla Rack® product (exclusive of shelves) is warranted to the original purchaser. If there is failure of product due to defects in material and workmanship, Rapid Rack will without charge and upon proof of purchase, repair/ replace at our own discretion. Warranty is void if product is subject to misuse, abuse, alteration, improper assembly, accident, if used for other than designated purpose or if maximum load capacities are exceeded. This warranty is not transferable and does not cover chipping, flaking, scratches, rust, dents, or other damages to finish or surface of the product. Responsibility of Rapid Rack Industries Inc. is limited to repair or replacement of product. Rapid Rack Industries Inc. is not responsible for consequential, incidental, or other damages or losses resulting from product failure.

THIS WARRANTY IS IN LIEU OF ALL OTHER EXPRESS WARRANTIES. SOME STATES DO NOT ALLOW THE EXCLUSION OR LIMITATION OF INCIDENTAL OR CONSEQUENTIAL DAMAGES, SO THE ABOVE LIMITATION MAY NOT APPLY TO YOU. THIS WARRANTY GIVES YOU SPECIFIC LEGAL RIGHTS AND YOU MAY HAVE OTHER RIGHTS WHICH VARY FROM STATE TO STATE. In case of product failure, damaged or defective material, refer to Rapid Rack Industries, Inc. 14421 Bonelli Street, City of Industry, CA 91746 or 1-800-736-7225.

TIPS

1. Group similar size parts together before starting your assembly.
2. Use some type of lubricant to ease the joining of the angle posts and beams.
3. Use a cloth or wood block to protect the surface finish of the product when using a hammer
4. Rivets must seat at the bottom of the keyhole slot. Hit the flat section of the beam.
5. Assemble the unit on a sturdy and level surface. Avoid assembly on carpet.
6. Load small stable items on the top shelf, heavier and bulkier items should be stored on the lower shelf.

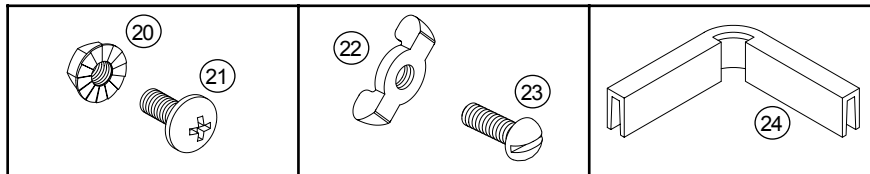
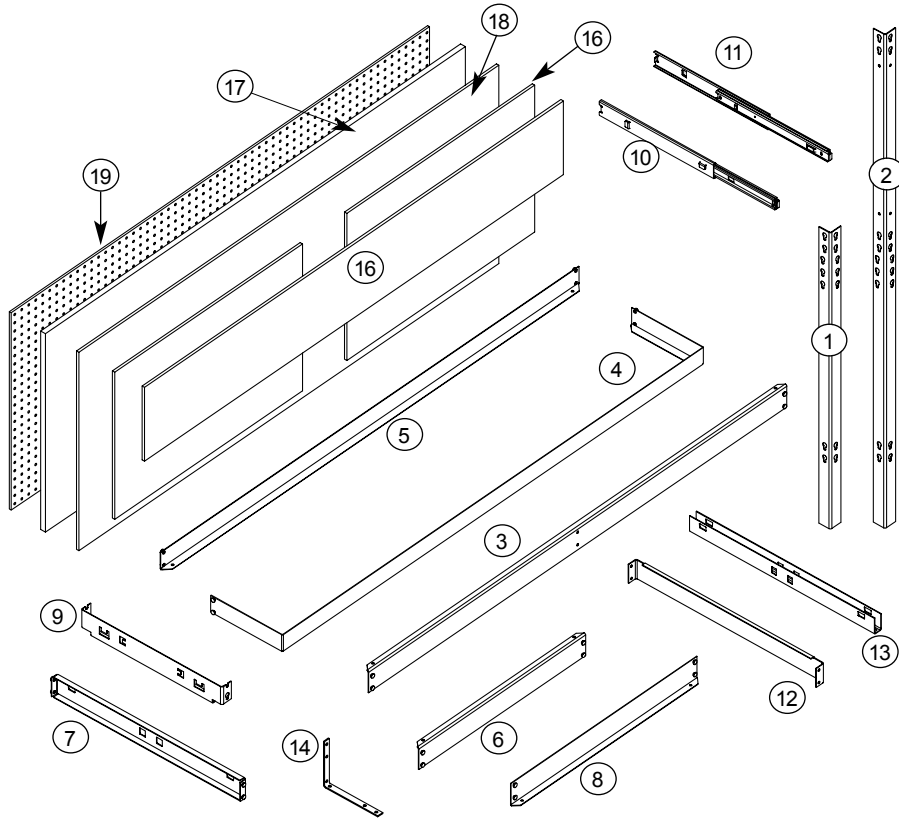
ATTENTION

This unit is not recommended for outdoor use. Particle board decks should be sealed with water proof sealant or paint ~~can~~ used in ~~bird~~ environment to prevent ~~rot~~.

PARTS OVERVIEW

GRB 1580-T

WORKBENCH



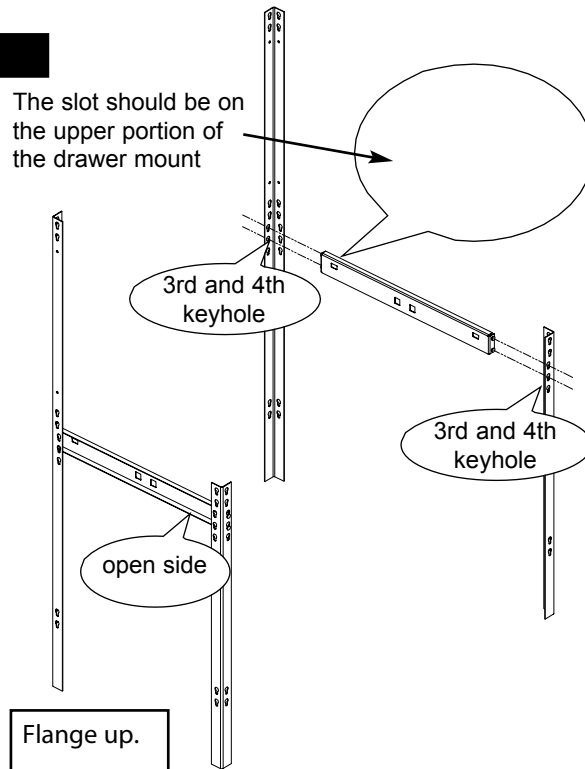
To facilitate assembly we recommend having two persons assemble the workbench.

Item	Description	Qty.	Item	Description	Qty.
1	3' Front Angle Post	2	13	Drawer Channel	1
2	5' Back Angle Post	2	14	L-Bracket	2
3	6' Double Rivet Beam	4	15	Drawer Board	2
4	Top Shelp Beam	1	16	Shelf Board	1
5	6' Top Shelf Double Rivet Beam	1	17	5/8" Work Surface Board	1
6	2' Double Rivet Beam	4	18	5/16" Bottom Shelf Board	1
7	2' Drawer Mount	2	19	Back Peg Board	1
8	32-5/8" Drawer Beam	4	20	1/4-20 Flanged Lock Nut	2
9	18" Drawer Side Beam	4	21	1/4-20 x 1/2" Philips HD Screw	2
10	Drawer Glide Left	2	22	#10-24 Wing Nut	12
11	Drawer Glide Right	2	23	#10-24 x 5/8" Slotted HD Screw	12
12	Center Supoport Tie	2	24	Plastic Post Caps	4

Left and Right End Assy.**Step 1:**

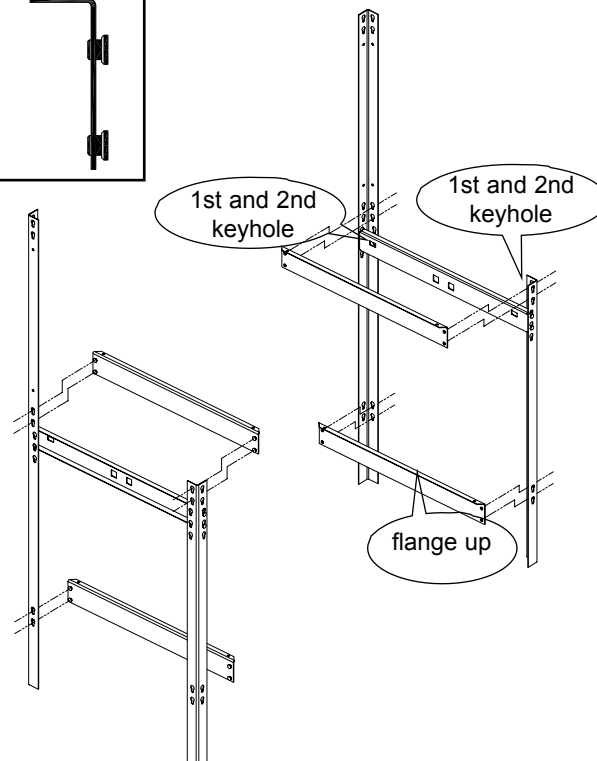
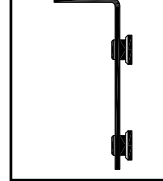
Assemble together a 3' Front Angle Post (Item 1) a 5' Back Angle Post (Item 2) and a 2' Drawer Mount (Item 6). Be sure to assemble the Drawer Mount on to 3rd and 4th keyhole of the Front Angle Post and the 3rd and 4th key hole of the mid-section of the Back Angle Post. Hit the Drawer Mount firmly near the joints with a rubber mallet to lock pieces together. Be sure the open side of the drawer mount is facing out.

The slot should be on the upper portion of the drawer mount

**Step 2:**

Assemble a 2' Double Rivet Beam (Item 5) to the bottom keyholes of both Angle posts. Note: install the beam flange up - refer to detail. Assemble an additional 2' Double Rivet Beam to the top keyholes of the Front Angle Posts and on the 1st and 2nd keyhole of the mid-section of Back Angle Post. Hit the beam firmly near the joints to lock pieces together.

Flange up.

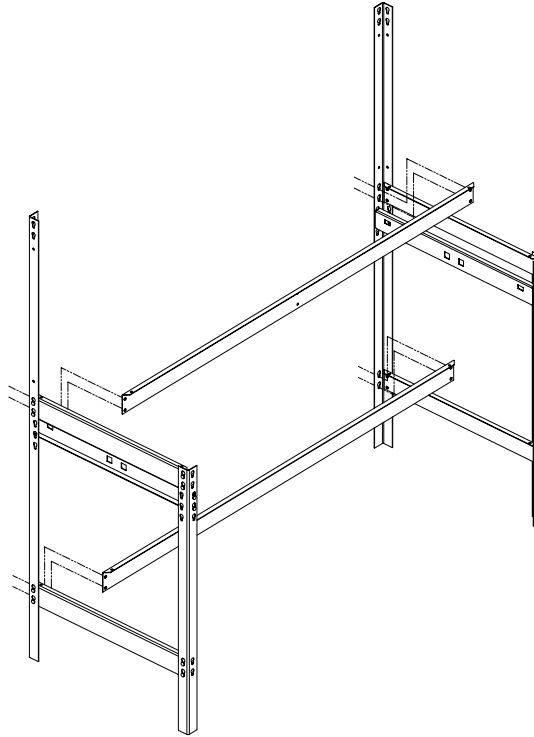
**Right End****Step 3:**

Repeat Step 1
Repeat Step 2

At this point you should have the Right and Left End assembled. Refer to illustrations.

Back Cross Beams**Step 4:**

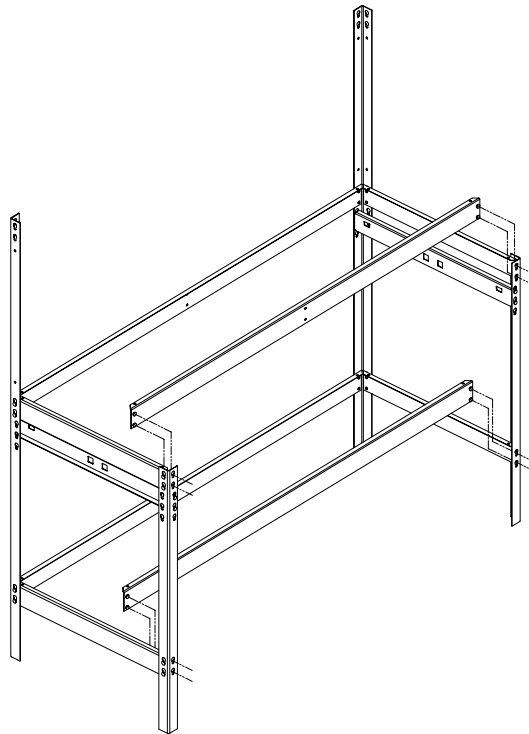
Assemble a 6' Double Rivet Beam (Item 3) to the bottom keyholes of the Left and Right Ends. Be sure the flange is up. Hit the beam near the joint to lock beam in place.

**Step 5:**


Assemble another 6' Double Rivet Beam (Item 4) into the 1st and 2nd keyhole in the mid section of the back Left and Right Ends. Hit the beam near the joints to lock beam in place.

Front Cross Beams**Step 6:**

Assemble a 6' Double Rivet Beam (Item 3) into the bottom keyholes of the front Left and Right Ends. Be sure the flange is up. Hit the beam near the joint to lock beam in place.

**Step 7:**

Assemble another 6' Double Rivet Beam (Item 4) into the 1st and 2nd keyholes of the top front Left and Right Ends. Hit the beam near the joint to lock beam in place.



flange down

Top Double Rivet Beam

Step 8:

Assemble the 48" Top Double Rivet Beam (Item 13) to the back top key-holes of the 5" Angle Posts. Make sure the flange is down. Hit the beam near the joints to lock pieces together.

Shelf Assembly

Step 9:

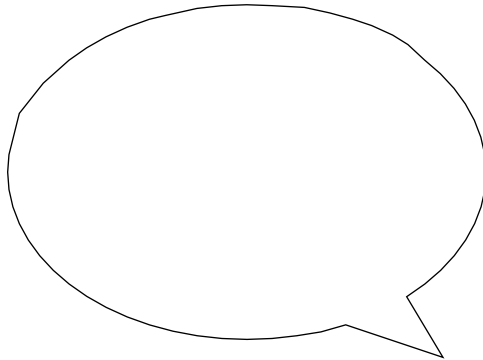
Assemble the Shelf with flange down (Item 14) to the side top key holes of 5" Angle Posts. Make sure the flange is down. Hit the shelf near the joints to lock pieces together.

2' Center Support**Step 10**

Assemble the 2' Center Support (Item 13) to the two Top Double Rivet Beams. Align the holes of the beam with the holes of the tie support and insert the 1/4"-20 x 3/4" Screw (Item 24). Refer to illustration. DO NOT fasten the nut in this step. Repeat on the opposite side.

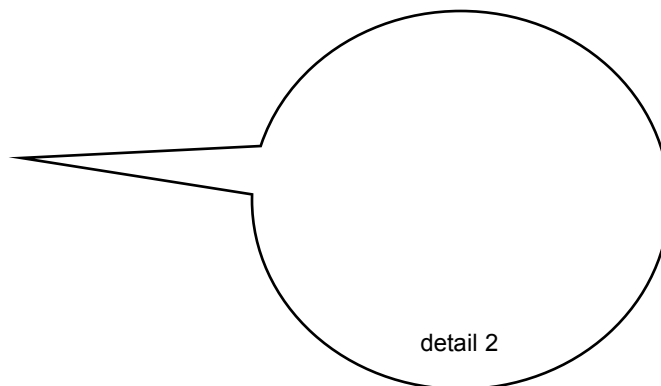
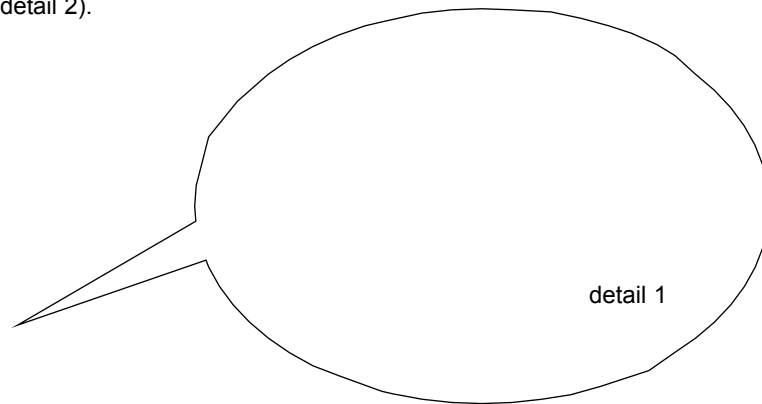
"L" Bracket**Step 11**

Assemble an "L" Bracket (Item 15) through the screw assembled in Step 10 and fasten the pieces together with the 1/4"-20 Nut (Item 23) Refer to detail.



Drawer Channel & Tie Support**Step 12**

Assemble the Drawer Channel (Item 14) to the “L” brackets on the Base (see detail 1). Align the Holes and Fasten the pieces together with the 1/4”-20 x 3/4” Screw (Item 24) and 1/4”-20 Nut (Item 23). Repeat for both sides. Then adjoin tie support (item 26) by aligning it to the holes of the lower base beams with four Serrated Flange Nuts (items 23&24) (see detail 2).


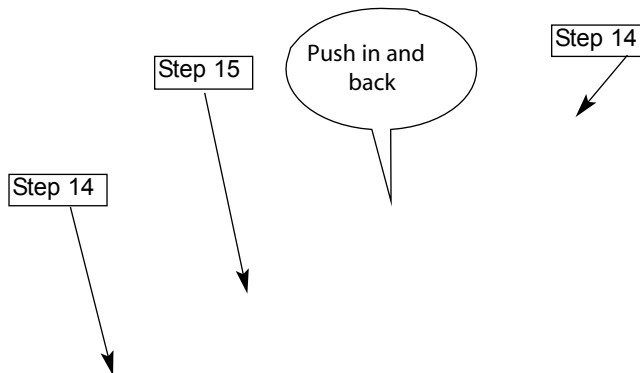


Glide

Step 13

The Drawer Glides (Item 9 and 10) must be disassembled. To separate the glide mount channel and inner channel slide fully extend the drawer glide and turn the black release lever on the third section. Hold lever down and pull.

Hold Lever
Down and Pull

Glide to Drawer Mount

Step 14

Assemble the glide mount channel to the Drawer mount (item 6) on the base assembly. Push in and back to lock the pieces together. Refer to the detail for the proper holes.

Repeat the assembly for the remaining glide mount channel (Right or Left).

Glide to Drawer Channel

Step 15

Assemble the glide mount channel to the Drawer Channel (item 14) on the base assembly. Push in and back to lock the pieces together. Refer to the detail for the proper holes.

Repeat the assembly for the remaining glide mount channel (Right or Left).

Drawer**Step 16**

Assemble two 18" Drawer Beam Sides (Item 8) with the 26 9/16" Drawer Beam (Item 7). Make sure that the all flanges are down. Assemble one corner at a time and hit the joints to lock into place. Repeat Step 16 for the additional drawer.

Drawer Glides**Step 17**

Assemble the inner glide slide which was disassembled in step 9 to the 18" Drawer Beam Sides (Item 7). Push in and back.

Step 18

Align the drawer glides to the frame glides keeping it's rectangle form. Slide in carefully and pull the drawer in and out until it locks with the joining parts.

Place the Drawer Board (Item 12) into place.

Back Peg Board

Step 19

Secure the Peg Board (Item 20) to the back of the frame aligning the top holes with the board. Place a screw (Item 21) through the angle post and peg board and secure the screw with a wing nut (Item 22). Start with the two top holes working yourself to the bottom holes.

Tip: Keep the fastener loose until all screws are in place, this will facilitate the alignment of the screws through the holes.



Step 20

Place the 3/8" Large Bottom Shelf Board (Item 19) into place.
Make sure it is the right thickness of 3/8".

Step 21

Place the 3/4" Top Work Surface Board (Item 18) into place.
Make sure it is the correct thickness

Step 22

Place the post caps (item 25) to the exposed angle posts.
Refer to detail

