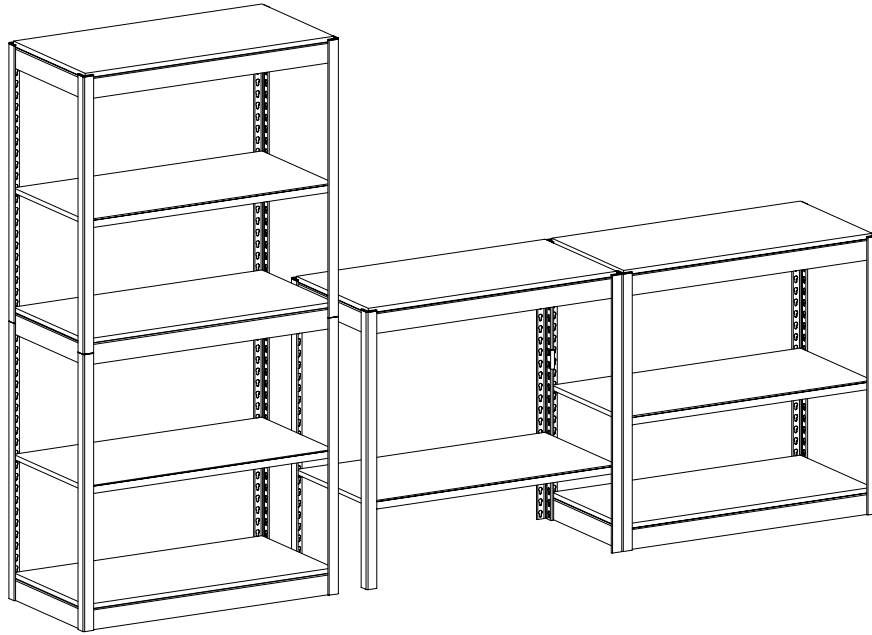




Assembly Instructions Storage Rack / Workbench



Model: GR 8440

Dimensions 

Storage Rack -1000x720

Workbench-1072x60

Model: GR 8120

Dimensions 

Storage Rack -1200x60

Workbench-1200x60

For Instruction Assistance

 **(800) 637-9508**

WEEKDAYS: 8:00 a.m. - 5:00 p.m. Pacific Standard Time

visit us on the web

www.theshelvingstore.com

Gorilla Rack Products is a division of
Rapid Rack Industries, Inc.
14421 Bonelli Street
City of Industry, CA 91746

Congratulations!

You have just purchased a superior quality Gorilla Rack Product!

At Gorilla Rack, we pride ourselves in supplying our customers with a superior quality product. If you require any assistance in assembly or there are any imperfections in our product, we need to know. Please call us as a consumer. We make a difference in improved services and innovations. All our products have a limited lifetime warranty as shown in the instructions.

Please contact us toll free at:
1-800-637-9508 (available for US and Canadian customers only)
Monday through Friday
9 A.M. to 5 P.M. Pacific Time

To better service you, please have available the Model Number and the Tracking Number located on the side of the packaging for your customer service representative.

Warranty

CONSUMER PRODUCTS WARRANTY INFORMATION

This Gorilla Rack® product (exclusive of shelves) is warranted to the original purchaser. If there is failure of product due to defects in material and workmanship, Rapid Rack will without charge and upon proof of purchase, repair/replace at our own discretion. Warranty is void if product is subject to misuse, abuse, alteration, improper assembly, accident, if used for other than designated purpose or if maximum load capacities are exceeded. This warranty is not transferable and does not cover chipping, flaking, scratches, rust, dents, or other damages to finish or surface of the product. Responsibility of Rapid Rack Industries Inc. is limited to repair or replacement of product. Rapid Rack Industries Inc. is not responsible for consequential, incidental, or other damages or losses resulting from product failure.

THIS WARRANTY IS IN LIEU OF ALL OTHER EXPRESS WARRANTIES. SOME STATES DO NOT ALLOW THE EXCLUSION OR LIMITATION OF INCIDENTAL OR CONSEQUENTIAL DAMAGES, SO THE ABOVE LIMITATION MAY NOT APPLY TO YOU. THIS WARRANTY GIVES YOU SPECIFIC LEGAL RIGHTS AND YOU MAY HAVE OTHER RIGHTS WHICH VARY FROM STATE TO STATE. In case of product failure, damaged or defective material, refer to Rapid Rack Industries, Inc. 14421 Bonelli Street, City of Industry, CA 91746 or 1-800-736-7225.

Tips

ATTENTION

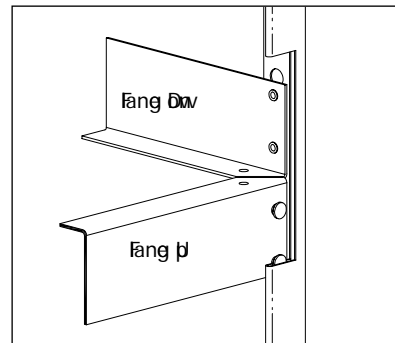
Storage Rack is not recommended for outdoor use. The particle board decks should be sealed with a water proof sealant or paint when used in humid environment to prevent mold.

- Use some type of lubricant to ease the joining of the angle posts and bases.
- Use a cloth or wood block to protect the surface finish of the product when using a bar.
- Rivets must seat at the bottom of the keyhole slot. Hitting the flat section of the Rivet Beam assists in driving the rivet down the keyhole.
- Assemble the unit on a sturdy and level surface. Avoid assembly on carpet.
- Bad smell stale items on the top shelves, heavier and bulkier items should be stored on the lower shelves.

Optional Beam Assembly

fang down will help keep objects from falling over the edge.

fang up will help slide object in or out.



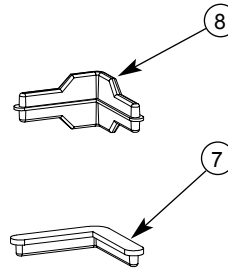
Workbench Assembly Instructions

To facilitate assembly we recommend having two persons assemble the workbench.

Tool required:
- Rubber Mallet / Hammer

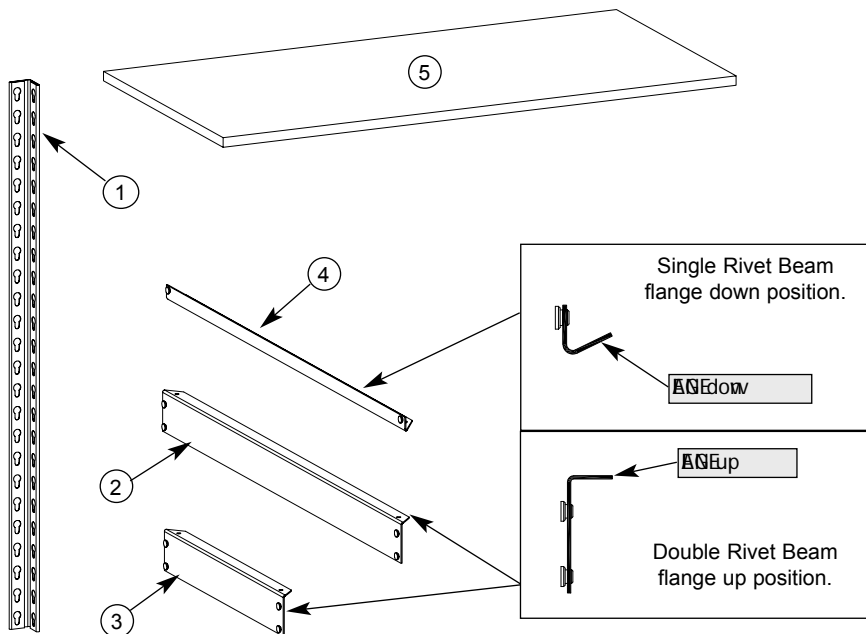
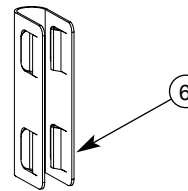
Contents GR 8440

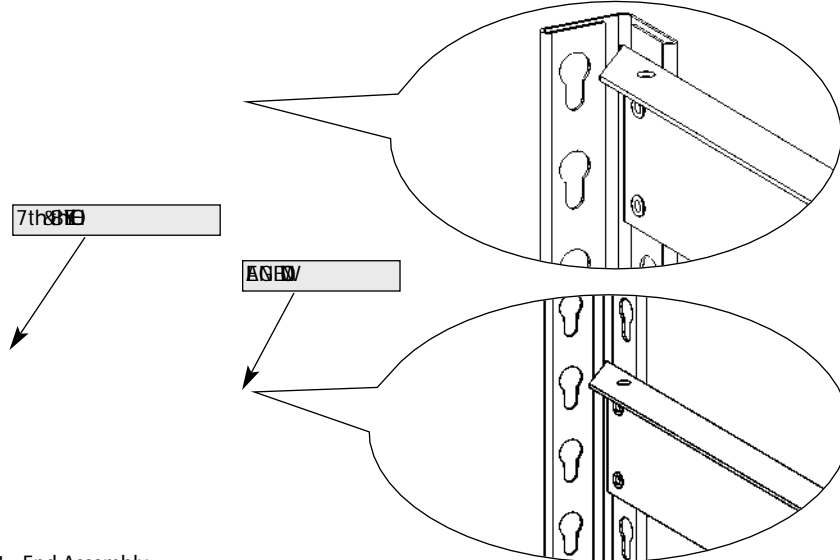
Item	Description	Qty.
1	Anti Post 80	8
2	Double Rivet Beam 80	6
3	Double Rivet Beam 18	6
4	Single Rivet Beam 80	4
5	Self Deck	5
6	Post Clips	8
7	Post Caps	2
8	Post Inserts	1



Contents GR 8120

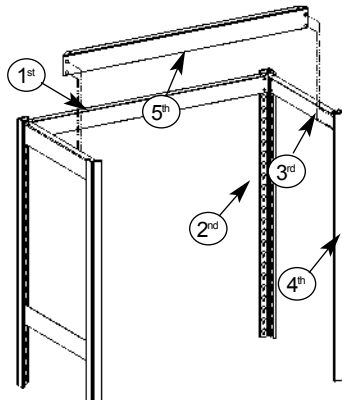
Item	Description	Qty.
1	Anti Post 80	8
2	Double Rivet Beam 80	6
3	Double Rivet Beam 18	6
4	Single Rivet Beam 80	4
5	Self Deck	5
6	Post Clips	8
7	Post Caps	2
8	Post Inserts	1





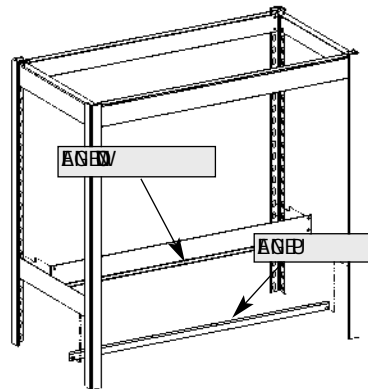
Step 1 - End Assembly

Start End Assembly by joining a SINGLE RIVET BEARING FLANGE up, to the top keyholes of two ANGLE POSTS. Drive the rivets in by hitting the bar close to post with a rubber mallet locking the joints together. Add an additional SINGLE RIVET BEARING FLANGE down into the 7th and 8th keyhole of the two ANGLE POSTS. Hit the joints to lock pieces together.



Step 2 - End Assembly and Long Double Rivet Beams

Assemble a SINGLE RIVET BEARING FLANGE up to the top keyholes of the End Assembly and an ANGLE POST (refer to detail) Hit the joints with a rubber mallet. Assemble a SINGLE RIVET BEARING FLANGE to the top keyholes and add an additional ANGLE POST and again hit the joints locking the pieces together. Add the second SINGLE RIVET BEARING FLANGE to the ANGLE POST and End Assembly and lock pieces together. Follow the order 1st through 5th shown in the drawing to facilitate the assembly. Note: Hit the beams near the joints to lock the pieces into place.

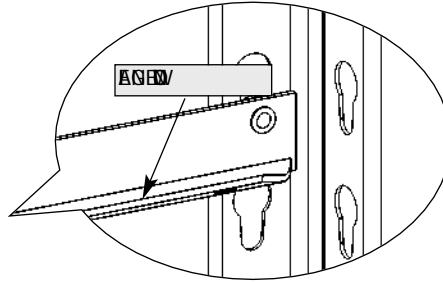
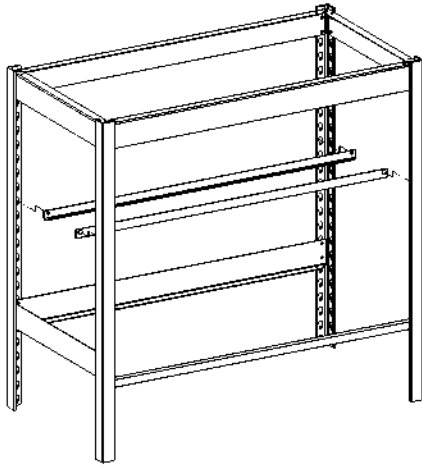


Step 3 - Bottom Beams

Assemble a SINGLE RIVET BEARING FLANGE down to the rear of the assembly in the 7th and 8th keyhole from the bottom of the ANGLE POSTS (refer to detail) Hit the beam near the joints with a rubber mallet to lock pieces together. Add a SINGLE RIVET BEARING FLANGE up across the front in the 6th keyhole from the bottom (refer to detail) back the joints together. Note: the flange may look awkward at this angle and height but it is fully functional.

PRIMARY ASSEMBLY

ASSEMBLY

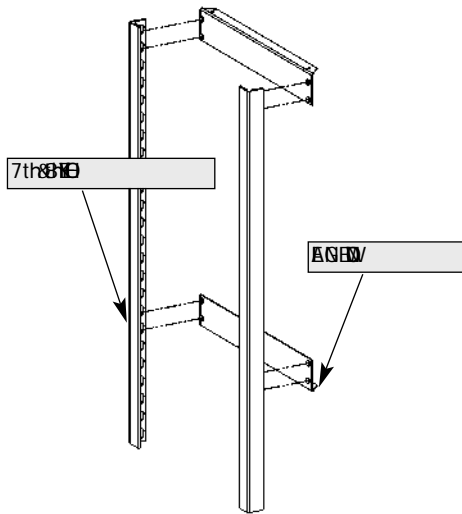


Step 4 - Single Rivet Beams

Place two Single Rivet Beams across the rear and front of the Angle Posts at the desired height of your shelf. Both beams must have the flange down. Drive the rivets in with a rubber mallet.

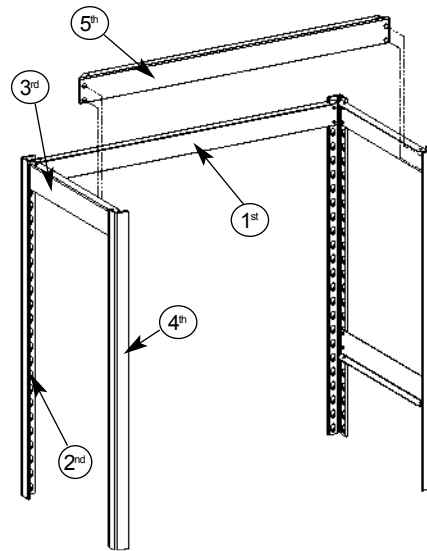
ADDITIONAL ASSEMBLY

ASSEMBLY



Step 5 - End Assembly

Start End Assembly by joining a Single Double Rivet Beam with flange up to the top keyholes of two Angle Posts. Drive the rivets in by hitting the beam close to post with a rubber mallet locking the joints together. Add an additional Single Double Rivet Beam with flange down into the 7th and 8th keyhole of two Angle Posts. Hit the joints to lock pieces together.

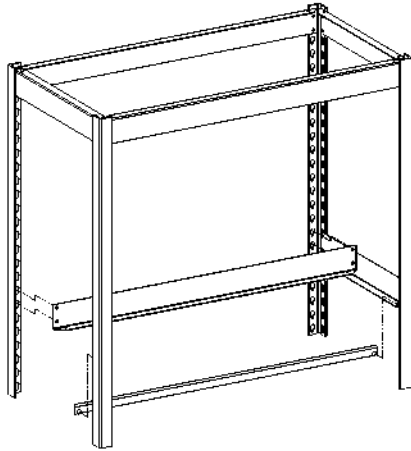


Step 6 - End Assembly and Long Double Rivet Beams

Assemble a long Double Rivet Beam with flange up to the top two keyholes of the End Assembly and an Angle Post (refer to detail) Hit the joints with a rubber mallet. Assemble a Single Double Rivet Beam to side to the top two keyholes and add an additional Angle Post and again hit the joints locking the pieces together. Add the second long Double Rivet Beam to the Angle Post and End Assembly and lock pieces together. Follow the order 1st through 5th shown in the drawing to facilitate the assembly. Note: Hit the beams near the joints to lock the pieces into place.

ADN

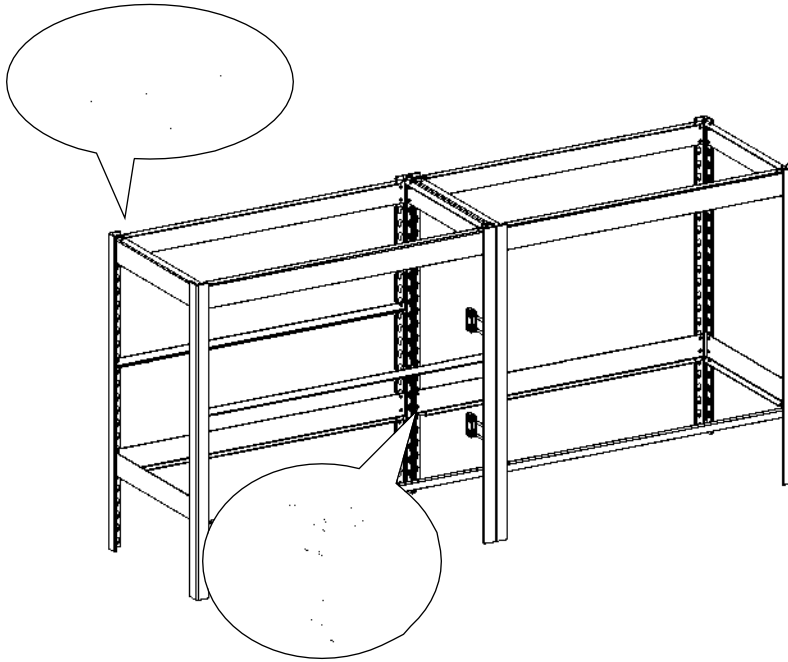
RBH



Step 7 - Bottom Beams

Assemble a Single Rivet with flange down to the rear of the assembly in the 7th and 8th keyhole front bottom of the Anti-Posts (refer to detail) H to be near the joints with a rubber mallet to lock pieces together. Add a Single Rivet Bearing flange up across the front in the 6th keyhole front bottom (refer to detail) back the joints together.
 Note: the flange may look awkward at this angle and tight but it is fully functional.

CRN



Step 8 - Tie Clip and Post Caps

Place the two assembled units side by side and insert the tie clips through the Anti-Post making sure they fasten through the keyhole. Repeat four times (refer to illustration)

Step 9 - Completion

Place Shelf Backs into place. Add post caps to the tops of the exposed Anti-Posts.

Congratulations on your completed work-bench!