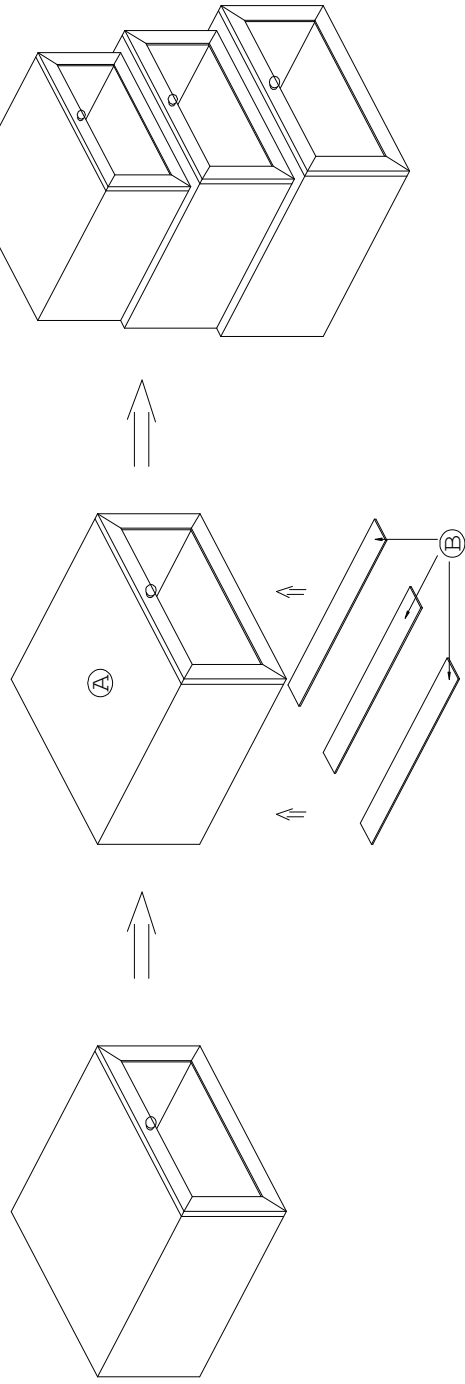
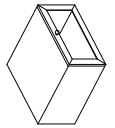
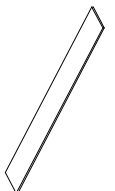
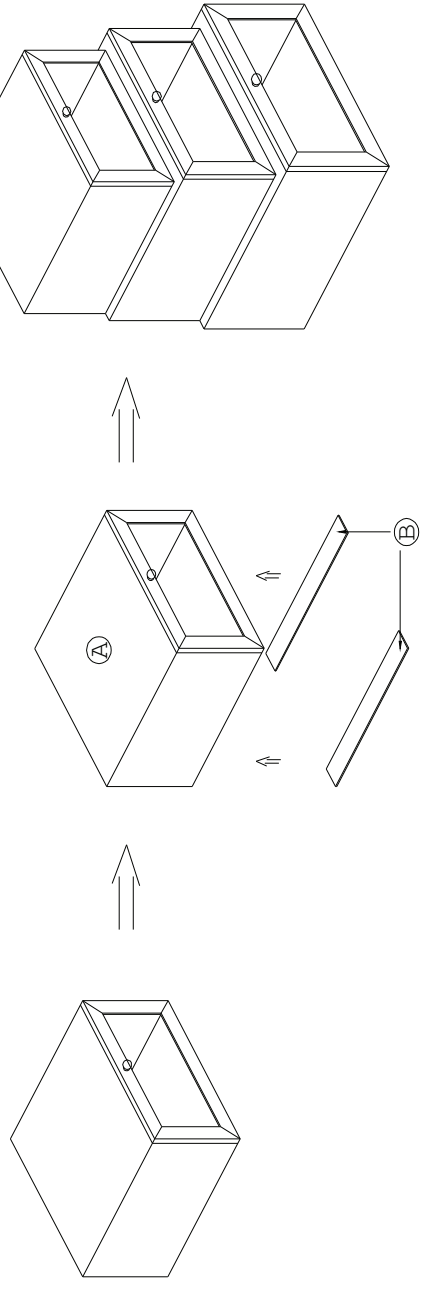


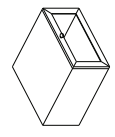
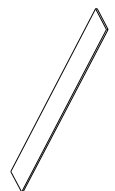
ST-30C, 30MA, 30MPL
STACKING ASSEMBLY INSTRUCTIONS



 A BOX-1PC	 B NON-SLIP PASTER BAR-3PCS
---	--

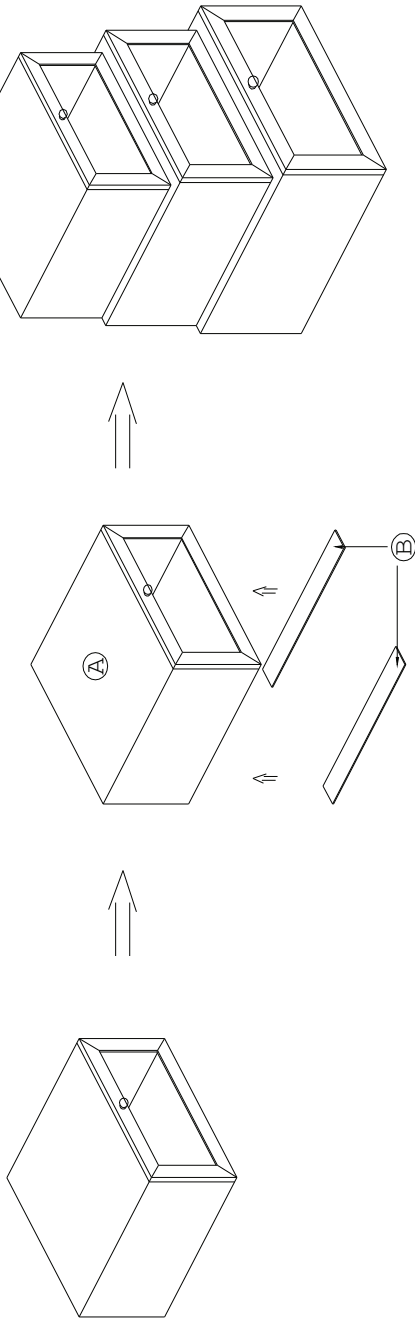
ST-20C, 20MA, 20MPL
STACKING ASSEMBLY INSTRUCTIONS

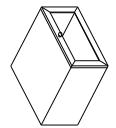
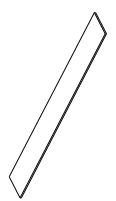


 A BOX-1PC	 B NON-SLIP PASTER BAR-2PCS
---	--

ST-10C, 10MA, 10MPL

STACKING ASSEMBLY INSTRUCTIONS



 <p>BOX-1PC</p>	 <p>NON-SLIP PASTER BAR-2PCS</p>
--	---